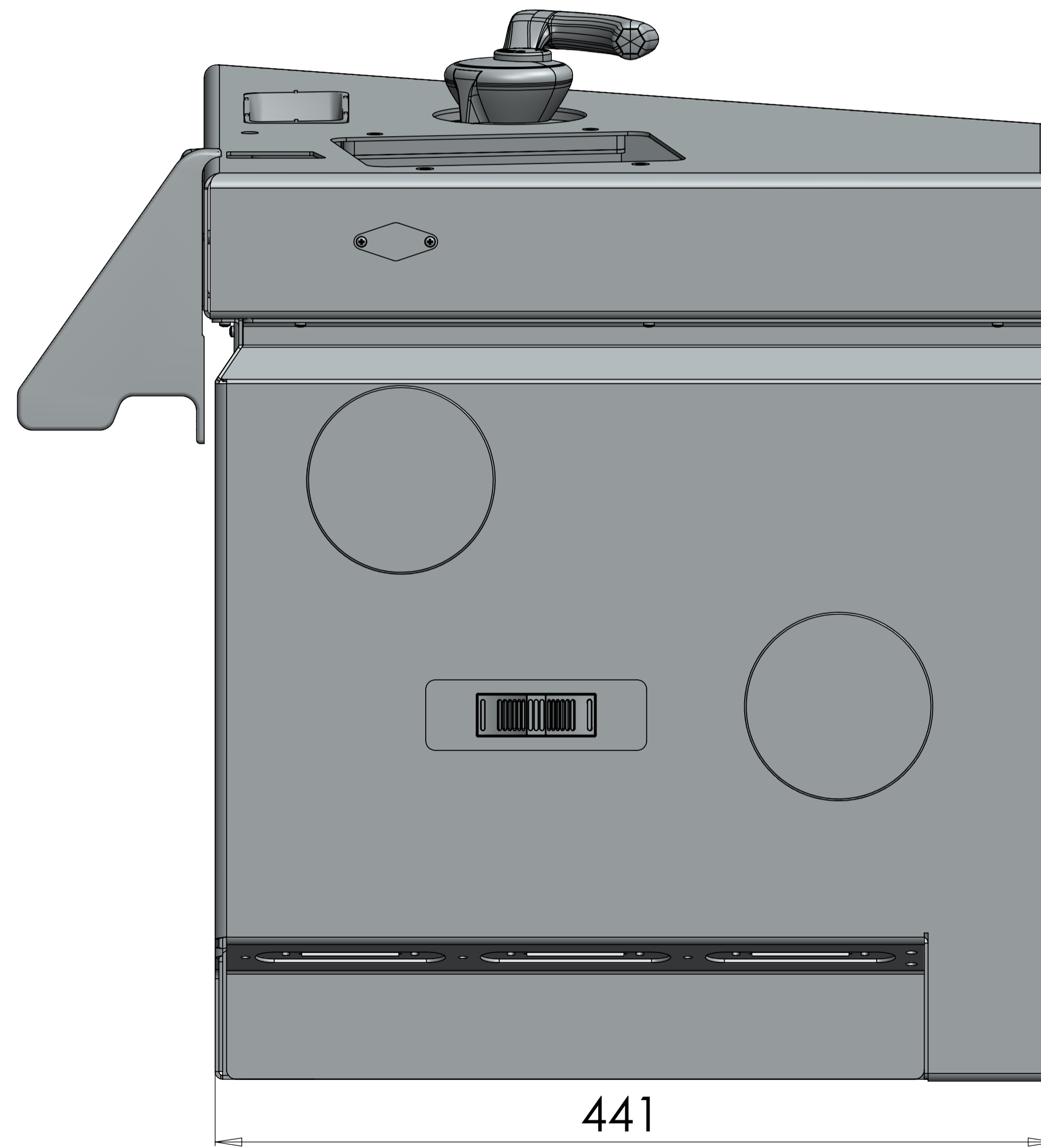
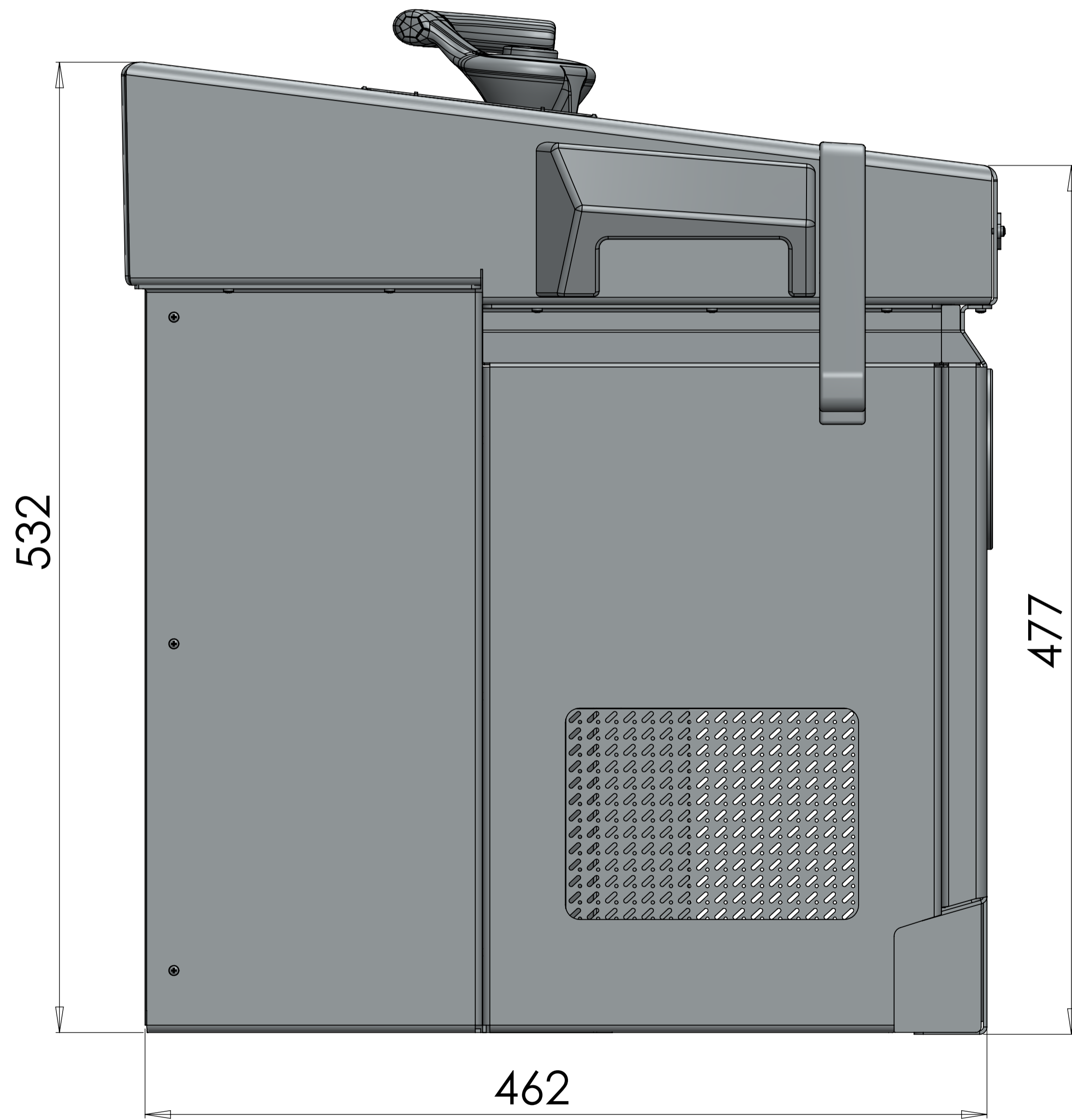
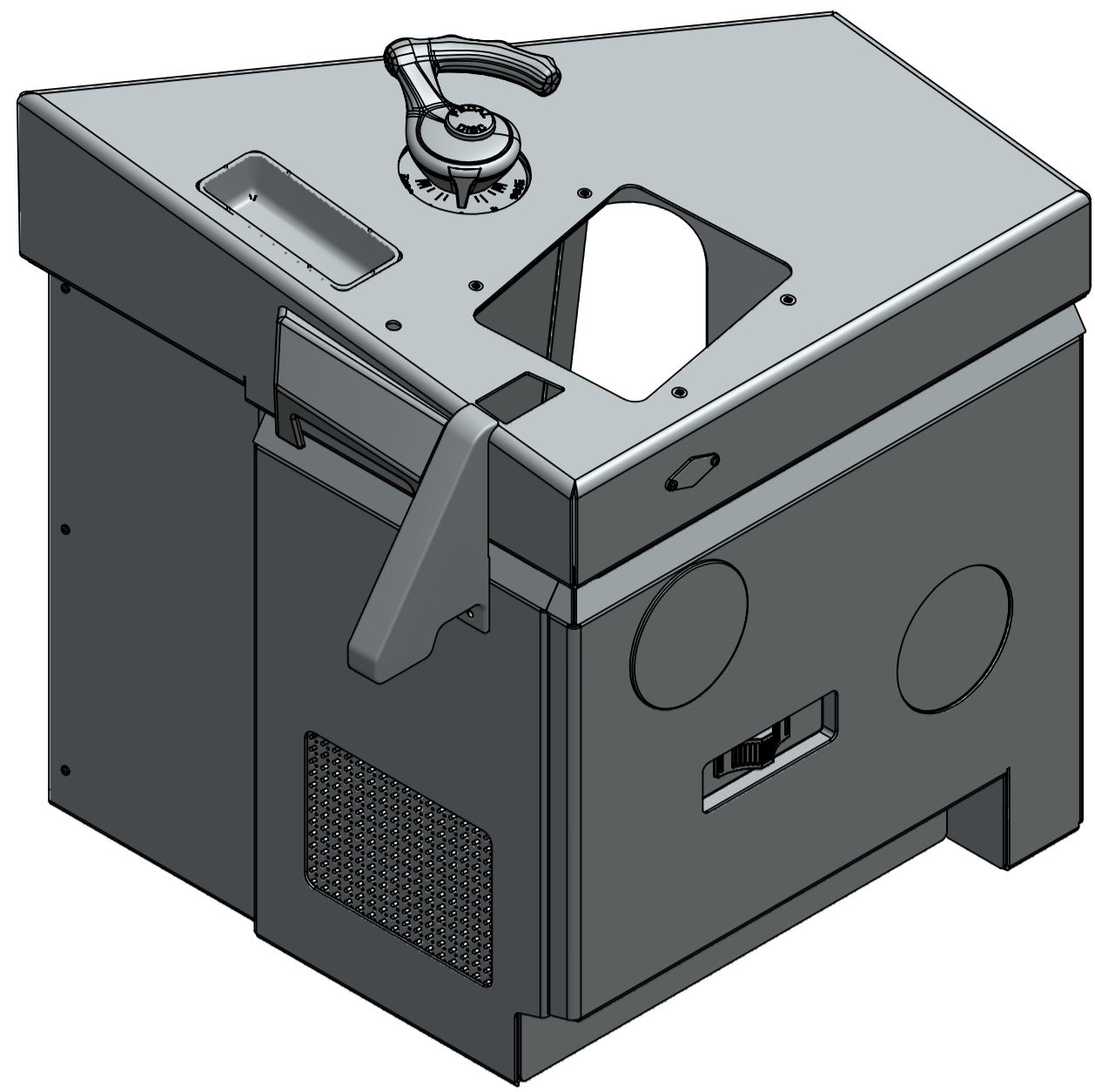


16 15 14 13 12 11 10 9 8 7 6 5 4 3 2

M
L
K
J
H
G
F
E
D
C
B
A



UNLESS OTHERWISE SPECIFIED: DIMENSIONS ARE IN MILLIMETERS		FINISH:	DEBurr AND BREAK SHARP EDGES		DO NOT SCALE DRAWING	REVISION
SURFACE FINISH:						
TOLERANCES:						
LINEAR:						
ANGULAR:						
DRAWN:	NAME	SIGNATURE	DATE		TITLE:	
CHEK:						
APPRV:						
MFG:						
Q.A:						
					DWG NO. A1	
					Side Stick Box - Ver 7	
					SCALE: 1:1	
					SHEET 1 OF 1	

16 15 14 13 12 11 10 9 8 7 6 5 4 3 2